

PIONEER

BROACH PULLERS AND ACCESSORIES



Automatic
•
Semi-Automatic
•
Standard
Keyway
•
Manual
•
Special
•

MOST SIZES IN STOCK
FOR IMMEDIATE DELIVERY

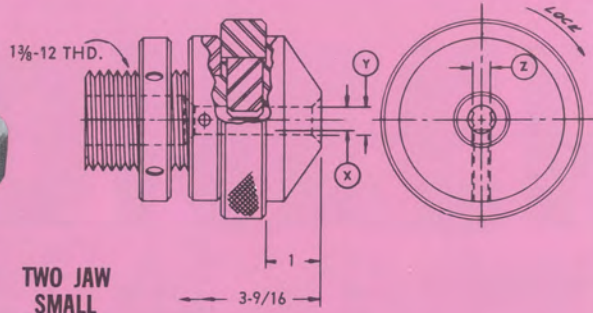


PIONEER BROACH COMPANY

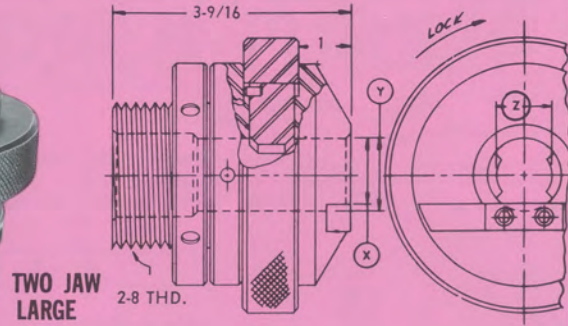
6434 TELEGRAPH ROAD, LOS ANGELES, CALIF. 90040

(213) 728-1263 • FAX (213) 889-8488 • (800) 621-1945 OUTSIDE CALIF.

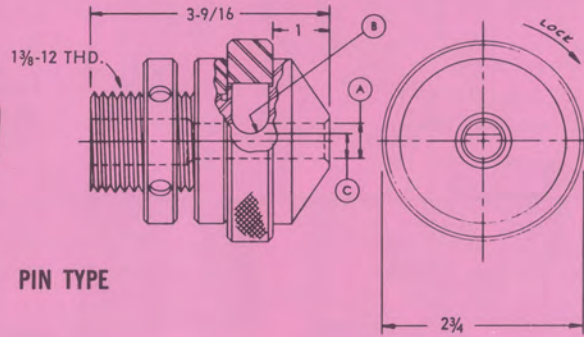
ROUND SEMI AUTOMATIC PULLERS



TWO JAW SMALL



TWO JAW LARGE



PIN TYPE

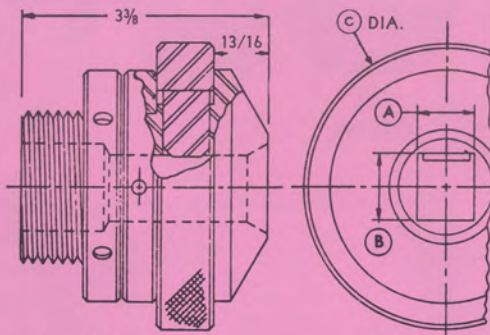
CAT. NO.	X	Y	Z
PS 316	.1525	.189	.128
PS 732	.187	.220	.160
PS 14	.221	.252	.194
PS 516	.267	.314	.224
PS 38	.330	.377	.291
PS 12	.439	.502	.385

CAT. NO.	X	Y	Z
PS 58	.533	.627	.443
PS 34	.658	.752	.573
PS 78	.783	.877	.698
PS 10	.908	1.002	.823

CAT. NO.	A	B	C
PP0115	.115	.125	.079
PP 18	.125	.125	.088
PP 532	.1562	.125	.109
PP 316	.1875	.125	.136
PP 732	.2187	.125	.156
PP 14	.250	.125	.177
PP 516	.3125	.187	.219
PP 38	.375	.187	.260
PP 716	.4375	.187	.302
PP 12	.500	.250	.344

Prices on application

KEYWAY TYPE SEMI AUTOMATIC PULLERS



1 3/8 x 12
Thread

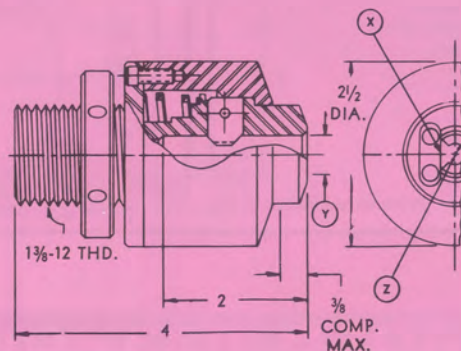
2 x 8
Thread

CAT. NO.	A	B	C	K/W BROACH SIZE
PK 10	.192	.356	2 3/4	1/8"
PK 11	.383	.684	2 3/4	3/16" to 3/8"
PK 12	.596	.839	3 3/4	1/2" to 5/8"
PK 13	.764	.886	3 3/4	3/4"

Larger sizes available

Prices on application

BODY ACTUATED AUTOMATIC PULLERS



CAT. NO.	X	Y	Z
PAS 316	.1525	.189	.128
PAS 732	.187	.220	.160
PAS 14	.221	.252	.194
PAS 516	.267	.314	.224
PAS 38	.330	.377	.291
PAS 12	.439	.502	.385
PAS 58	.533	.627	.448
PAS 34	.658	.752	.583
PAS 78	.783	.877	.708
PAS 10	.908	1.002	.833

SMALL BODY

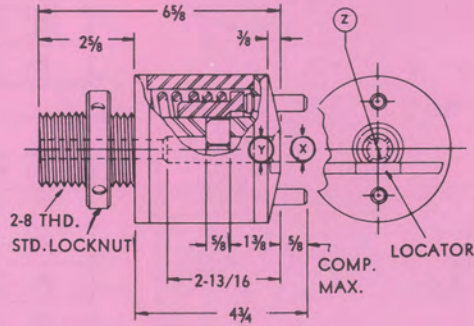
LARGE BODY

1 3/8" - 12 THD

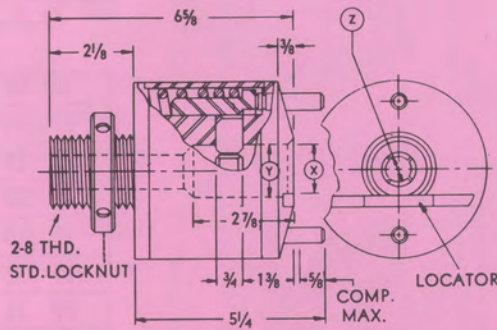
2" - 8 THD

PIN TYPE AUTOMATIC PULLERS

SMALL BODY



LARGE BODY



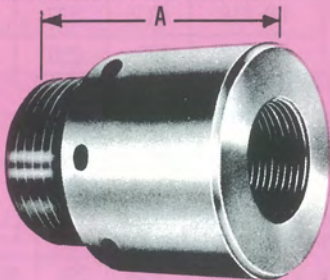
No.	SIZE	X	Y	Z
PA 38	3/8	.329	.377	.291
PA 12	1/2	.439	.502	.385
PA 58	5/8	.533	.627	.448
PA 34	3/4	.658	.752	.573

No.	SIZE	X	Y	Z
PA 78	7/8	.783	.877	.698
PA 10	1	.908	1.002	.823
PA118	1 1/8	1.033	1.127	.948
PA112	1 1/2	1.376	1.502	1.260

Prices on application

STANDARD PULLER ACCESSORIES

No.	"A"
S1	3"
S2	11 1/4"
R2	5"
T2	5"



EXTENSION



#SA ADAPTER

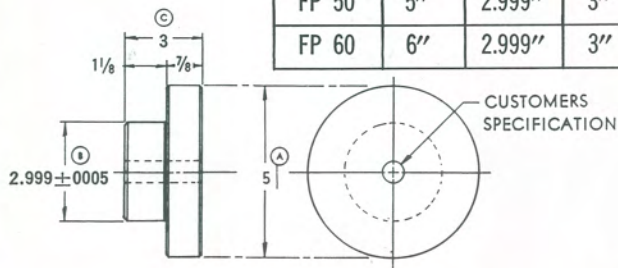


LOCKNUT

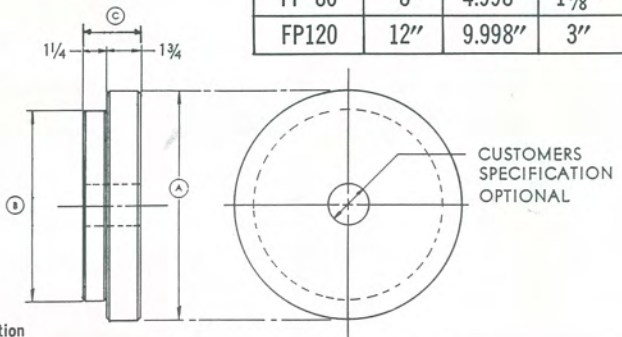
#LNS 1 3/8 - 12 THD
#LNL 2 - 8 THD

FACE PLATES

No.	A	B	C
FP 35	3 1/2"	2.999"	3"
FP 50	5"	2.999"	3"
FP 60	6"	2.999"	3"



No.	A	B	C
FP 80	8"	4.998"	1 7/8"
FP120	12"	9.998"	3"



Prices on application