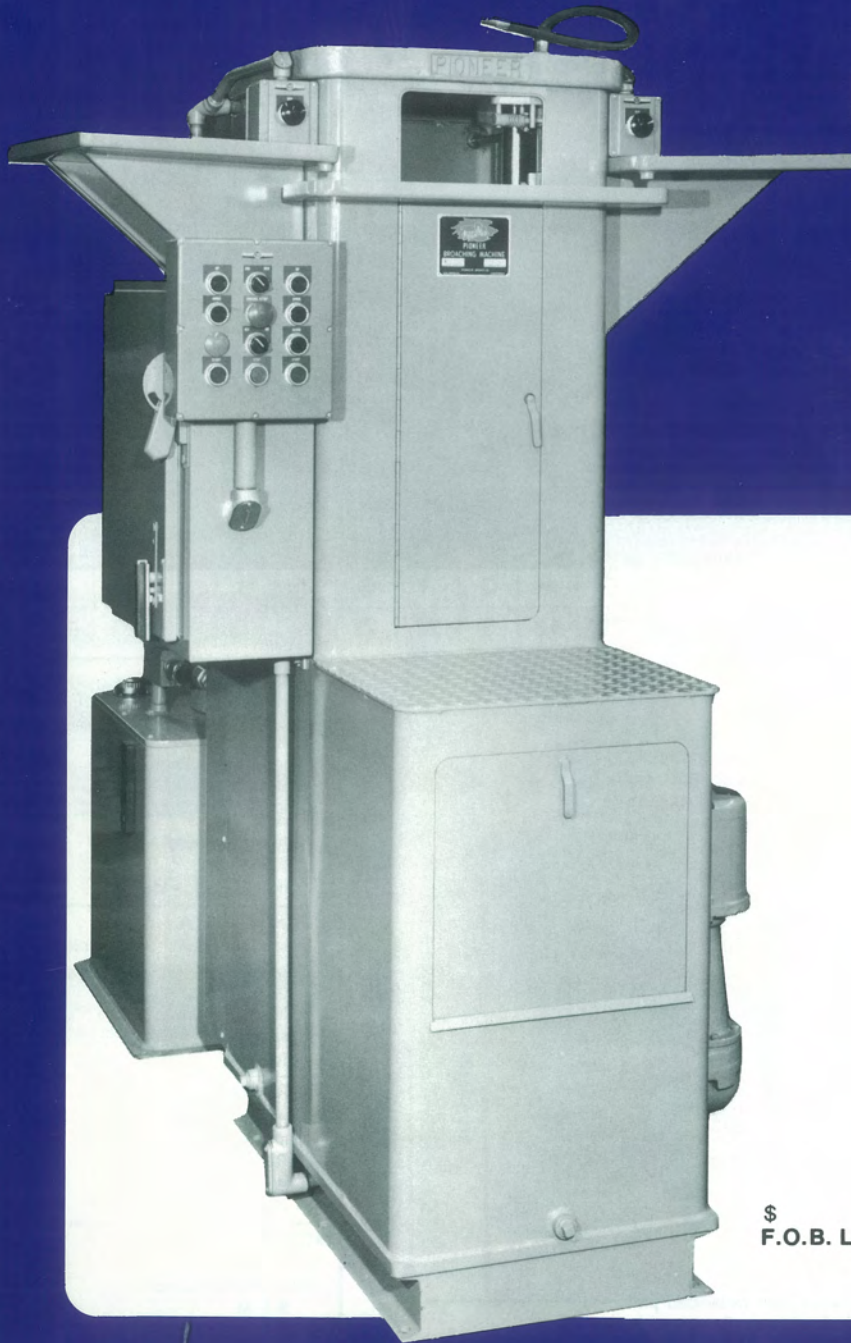


# PIONEER



## MODEL VT1045

### BROACHING MACHINE

#### INTERNAL OR SURFACE BROACHING

Pioneer VT Series Broaching Machines provide fast interchangeable setup features for internal and surface vertical pull down broaching. Clear, unobstructed work table permits unlimited range in size of work piece or fixture.

#### featuring:

- ADJUSTABLE STROKE
- VARIABLE SPEED
- STURDY CONSTRUCTION
- CLEAR WORK TABLE
- FAST SET UP
- DESIGNED FOR MAXIMUM OPERATOR EFFICIENCY
- PROGRAMABLE CONTROLLER (P.C.)

\$  
F.O.B. L.A.

COMPLETE — INCLUDING  
PUMPS, MTRS. & SWITCHES



**PIONEER BROACH COMPANY**

6434 TELEGRAPH ROAD, LOS ANGELES, CALIFORNIA 90040

(213) 728-1263 • FAX (213) 889-8488  
(800) 621-1945 OUTSIDE CALIF.



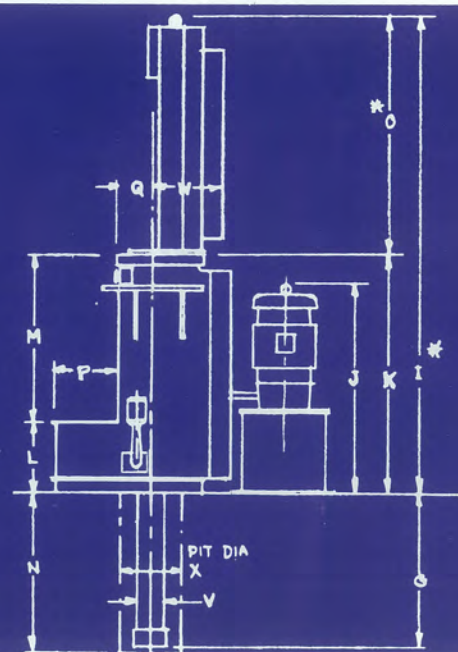
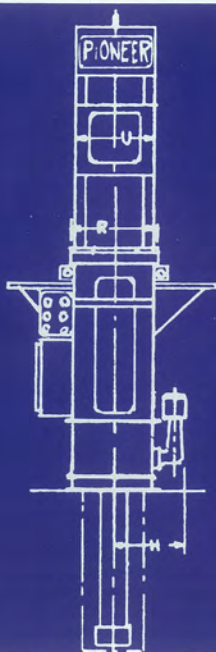
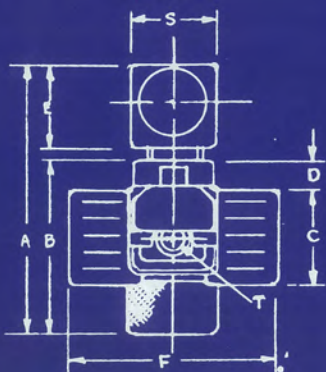
# PIONEER MODEL VT1045 SERIES BROACHING MACHINES . .

are low in cost and feature simplicity of "set up" and operation. Capabilities cover a multitude of internal and surface broaching operations. Work table is clear of any obstructions permitting unlimited range in size of work piece. Sturdy construction assures continual uninterrupted production performance. Standard stock broaches and accessories are available for immediate delivery.

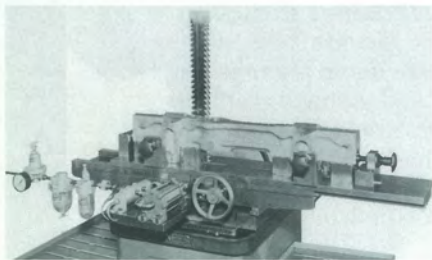
The VT1045 utilizes a piston type variable flow hydraulic pump and a 15 H.P. motor. This provides fully adjustable cutting speeds up to 25 feet per minute and return speed of 50 F.P.M.

Field tested for over 15 years, with hundreds of enthusiastic users, Pioneer Model VT1045 is one of America's most desired Broaching Machines.

\*ADD 1" IF MACHINE IS EQUIPPED WITH DISPLACER UNIT.

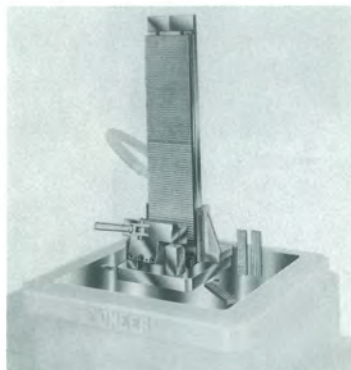


A	B	C	D	E	F	G	H	I	J	K	L	M	N	O	P	Q	R	S	T	U	V	W	X
80	46	25	9	27	52	52	20	148*	50	76	36 1/4	40	56	72*	16	9	22	27	5	19	8	23	14



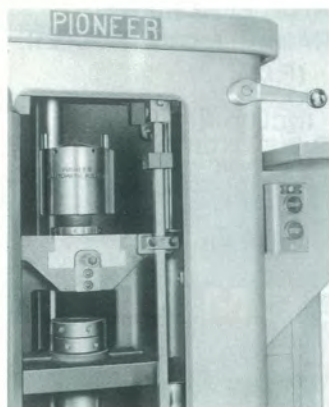
## INTERNAL PULL BROACHING

Large work piece and fixture easily mounted on unobstructed work table of VT1045 machine. Extremely small and/or high production jobs are accommodated with equal ease. Positive electrical controls permit maximum operation efficiency.



## SURFACE BROACHING

Illustrates use of interchangeable combination broach part holding Guide-Fixture. Accurate set up is accomplished in a few minutes with a minimum of tooling.



## INTERNAL VIEW

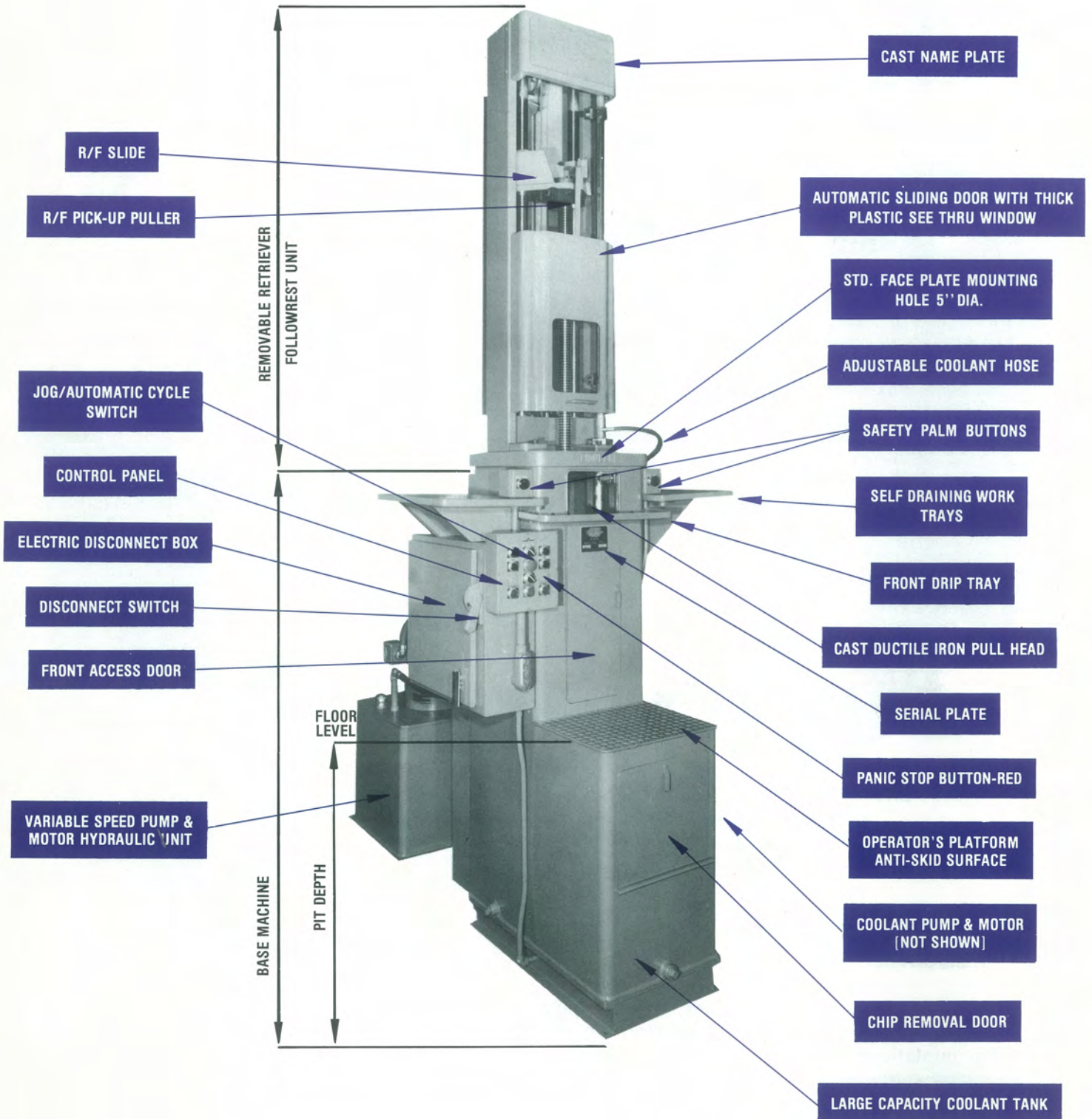
Shows sturdy cast ductile iron balanced pull head with ample guide bushings. Center slide adjusted with precision screw for accurate alignment. Pioneer automatic broach puller, an extra accessory, is shown mounted for internal pull broaching. Use of this type puller eliminates manual broach coupling.

Also available with optional "precision pull head system" which enables faster and more accurate set up changes.

GENERAL SPECIFICATIONS	VT 1045
<b>CAPACITIES</b>	
Normal Pull - Tons	10
Max. Stroke - Inches	45
<b>SPEEDS</b>	
Cutting (Variable) F.P.M.	25
Return F.P.M. - Max.	50
<b>MACHINE DATA</b>	
Max. Work P.A.	Unlimited
Bore in Face Plate	5"
Pull Head to Table Bottom	4 1/2"
Threaded Receiver for Pullers	2" thd.
<b>HYDRAULIC EQUIP.</b>	
Speed - R.P.M.	1800
Capacity - Oil Reservoir - Gals.	50
Cap. - Coolant Reservoir - Gals.	35
<b>MOTORS</b>	
Main Motor - H.P.	20
Main Motor Speed - R.P.M.	1800
Coolant Pump Motor - H.P.	1/4
Standard Voltages (3 Ph., 60 Hz.)	220/440
<b>SHIPPING DATA</b>	
Net Weight - Lbs.	3300
Domestic Shipping Weight - Lbs.	3800
Export Shipping Weight - Lbs.	4000

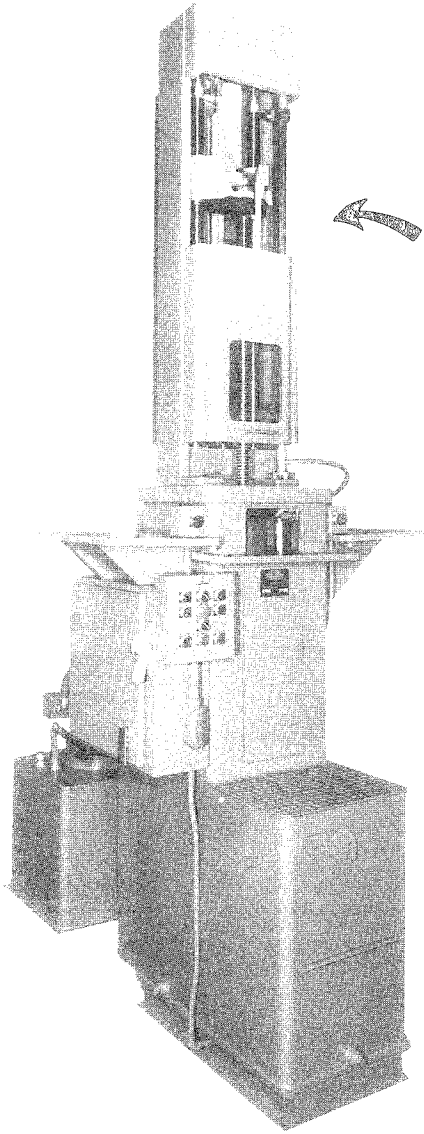


# PIONEER MODEL VT1045 STANDARD VERTICAL BROACHING MACHINE SHOWN WITH RETRIEVER/FOLLOWREST UNIT

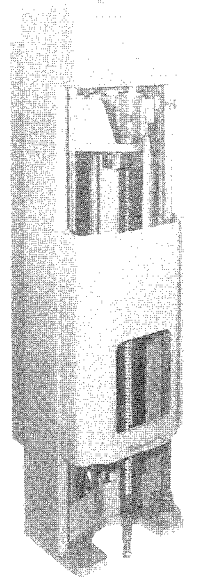


**PIONEER BROACH COMPANY**  
6434 TELEGRAPH ROAD • LOS ANGELES, CALIFORNIA 90040

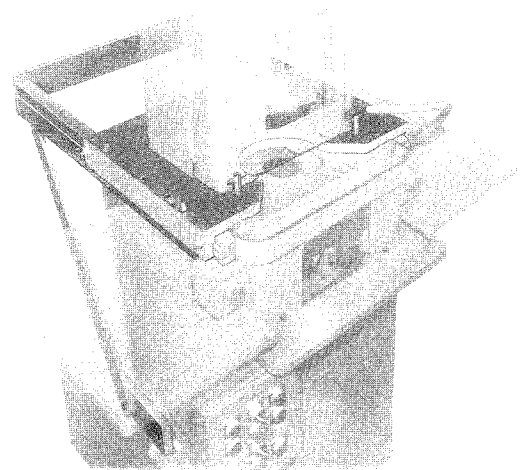
OPTIONAL EQUIPMENT AVAILABLE  
AT ADDITIONAL COST  
RETRIEVER/FOLLOWREST UNIT,  
DISPLACER UNIT & CHIP REMOVER UNIT



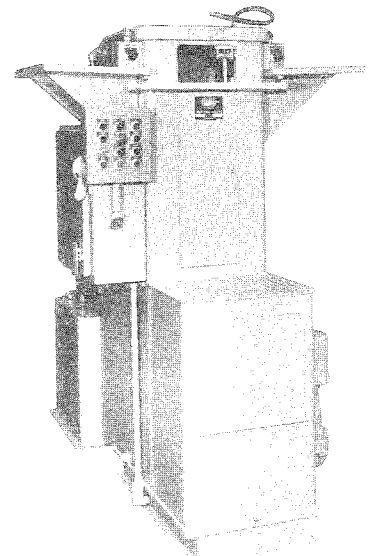
← RETRIEVER/FOLLOW REST UNIT →



← DISPLACER UNIT →



← BASE MACHINE →



Our complete and modern plant is fully equipped to assist you with any of your broaching requirements. For quotations and engineering data, send prints or specifications to our Sales Department.